

### Features

- Fireclay.
- Drop-in.
- Generous curved rectangular basin.
- With overflow.
- Widespread faucet holes.
- Complements the Escale® suite.
- 23-5/8" (600 mm) x 17-1/2" (445 mm)

### Recommended Accessories

K-14410-3 Widespread Bathroom Sink Faucet  
K-14410-4 Widespread Bathroom Sink Faucet  
19480



### Codes/Standards




ASME A112.19.2/CSA B45.1

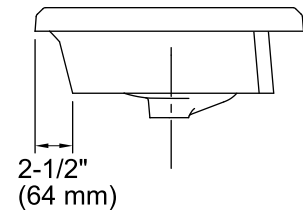
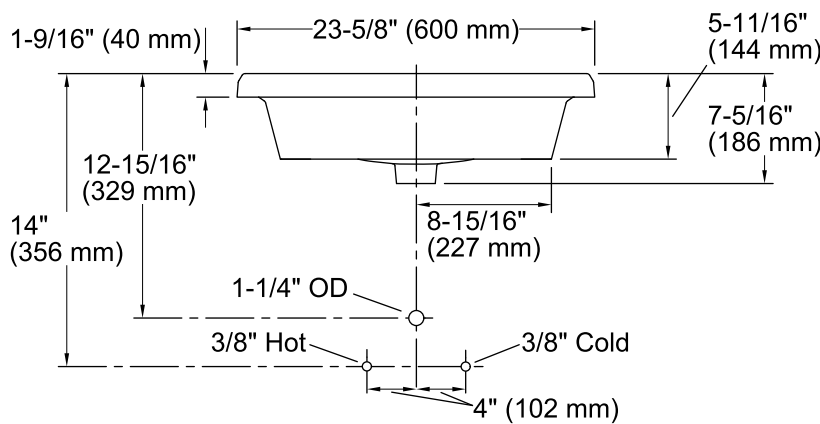
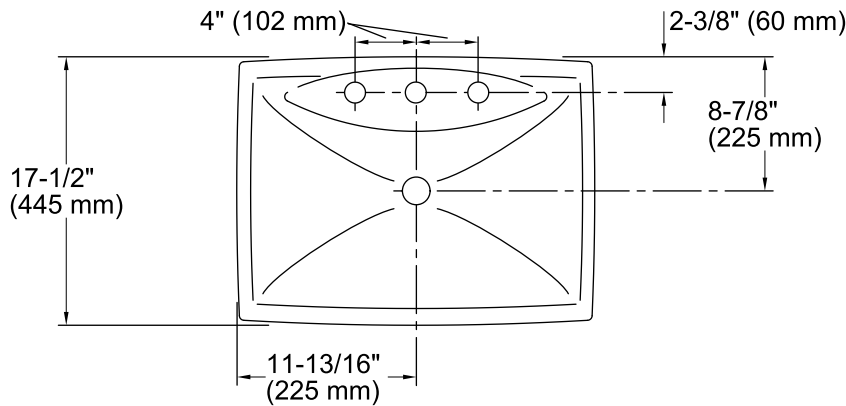
### KOHLER® One-Year Limited Warranty

See website for detailed warranty information.

### Available Color/Finishes

*Color tiles intended for reference only.*

Color	Code	Description
	0	White
	96	Biscuit
	47	Almond



## Technical Information

All product dimensions are nominal.

Bowl configuration:	Single
Installation:	Drop-In
Bowl area (Only)	Length: 23-11/16" (602 mm) Width: 17-1/2" (445 mm) Water depth: 3-1/2" (89 mm)
Number of deck holes:	3
Faucet hole(s):	1-3/8" (35 mm)
Drain hole:	1-3/4" (44 mm)
Template:	Drop-in, 1052864-7, required, included

## Notes

Install this product according to the installation guide.

**NOTICE:** Countertop manufacturer or cutter must use the cut-out template provided with the product, or a current one provided by Kohler (call 1-800-4KOHLER). Kohler is not responsible for cutout errors when incorrect cut-out template is used.