

### Features

- Solid brass construction for durability and reliability.
- Pressure-compensating flow control to deliver a splatter-free column of water.
- 0.8" (20 mm) orifice to optimize performance.
- Easy-to-access cartridge for cleaning and replacement.
- Complements the Purist® collection.

### Material

- KOHLER finishes resist corrosion and tarnishing.

### Installation

- Wall- or ceiling-mount.

### Recommended Products/Accessories

K-23723 Faucet cleaner

### Optional Products/Accessories

K-924 Optional Drip Tray



### Codes/Standards





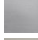
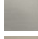

ASME A112.18.1/CSA B125.1

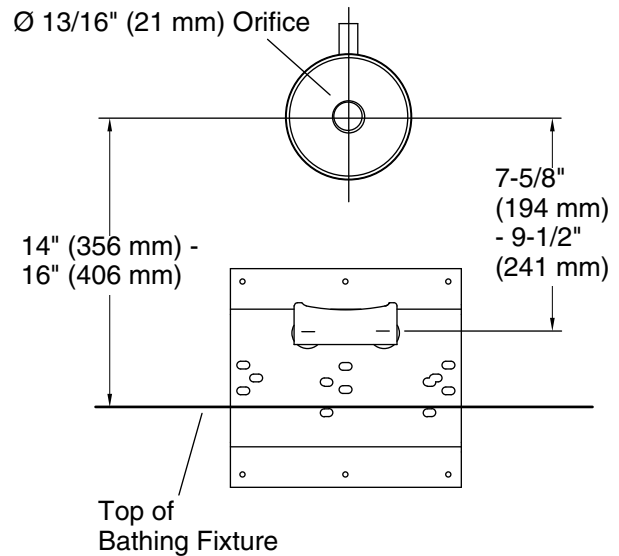
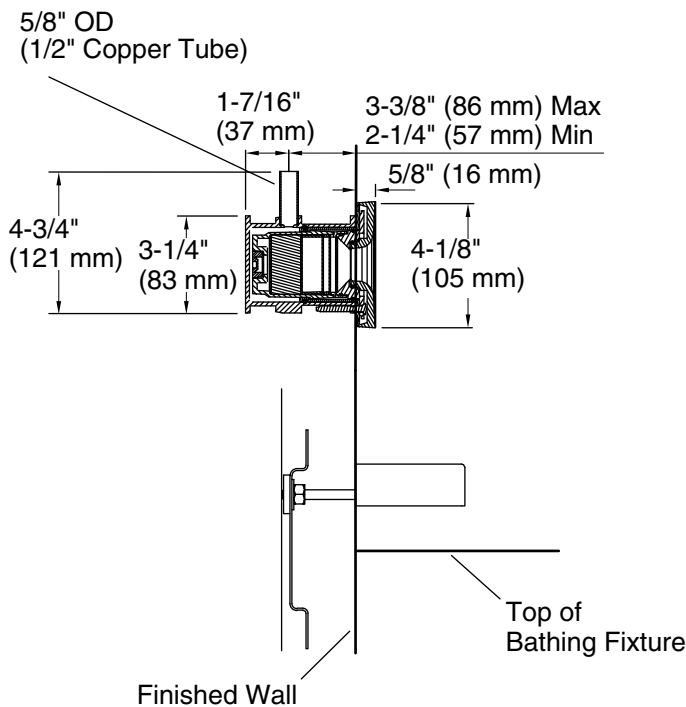
### KOHLER® Faucet Lifetime Limited Warranty

See website for detailed warranty information.

### Available Colors/Finishes

*Color tiles intended for reference only.*

Color	Code	Description
	CP	Polished Chrome
	SN	Vibrant® Polished Nickel
	AF	Vibrant® French Gold
	PB	Vibrant® Polished Brass
	G	Brushed Chrome
	BN	Vibrant® Brushed Nickel
	BV	Vibrant® Brushed Bronze



## Technical Information

All product dimensions are nominal.

## Notes

Install this product according to the installation guide.

For ceiling-mount installation, product must be mounted a maximum of 9' (2.74 m) above the bath/whirlpool floor.

Drip tray is an optional accessory available for wall-mount installation only.

Ensure a minimum of 36" (914 mm) of straight piping prior to the spout.

Minimize the number of 90 degree elbows between the mixing valve and the spout.

When a deck mounted transfer valve (K-408-K or K-409-K) is used for a ceiling mount, install a check valve between the spout and the diverter.

Flow rate is 5-10 gal/min (18.9-37.9 l/min).

Splashing may occur if the flow rate is less than 5 gal/min (18.9 l/min).