

Features

- Rim holes provide a uniform cascade of water to keep sides of sink clean.
- Siphon jet provides a powerful surge of water to effectively eliminate maximum debris or waste.
- 2-1/2" trapway larger than most residential toilet trapways.
- Large basin allows placement of more volume.
- Crafted of Grade A vitreous china to provide a durable, non-porous product with a hard, glossy finish.
- 1-1/2" (38 mm) top spud.

Recommended Products/Accessories

K-8935 Stainless Steel Rim Guard
21401 Closet Bolt Assembly
K-8801 Sink Strainer
K-8799 Sink Strainer
K-23726 Drain treatment
K-23725 Cast iron cleaner

Optional Products/Accessories

K-11352 Disposal Flange with Stopper

Included Components

Additional Components:

1.5" spud
Bolt caps (pair)



Codes/Standards

ASME A112.19.2/CSA B45.1


KOHLER® One-Year Limited Warranty

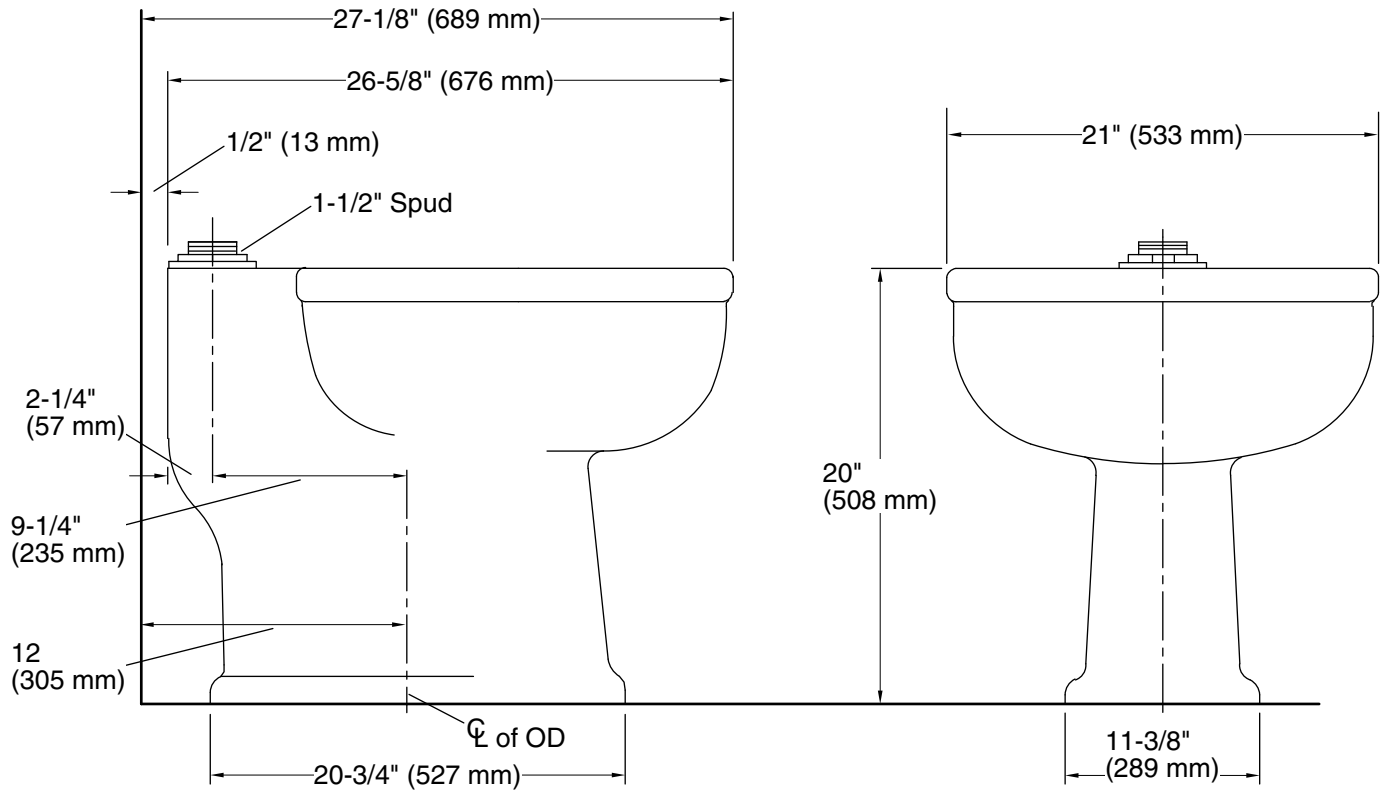
See website for detailed warranty information.

Available Colors/Finishes

Color tiles intended for reference only.

Color	Code	Description
-------	------	-------------

	0	White
--	---	-------



Technical Information

All product dimensions are nominal.

Bowl configuration:	Single
Installation:	Freestanding
Bowl area (Only):	Length: 17" (432 mm) Width: 17" (432 mm) Water depth: 7-5/8" (194 mm)
Drain hole:	2-5/8" (67 mm)

Notes

Install this product according to the installation instructions.