



# Highline® Comfort Height®

two-piece elongated 1.28 gpf toilet  
**K-3889-RA**

## Features

- Two-piece toilet.
- Elongated bowl offers added room and comfort.
- Comfort Height® feature offers chair-height seating that makes sitting down and standing up easier for most adults.
- 1.28 gpf (4.8 lpf).
- Includes Polished Chrome right-hand trip lever.
- Combination consists of the K-4467-RA tank and the K-4373 bowl.
- 10" (254 mm) rough-in.

## Technology

- Single-flush gravity uses the force of gravity and a precision-engineered tank, bowl, and trapway to create a strong siphon during flushing.
- Class Five® flushing technology offers virtually plug-free performance and rinsing power for a clean bowl.

## Installation

- Three-bolt installation.
- Seat and supply line sold separately.

## Water Conservation & Rebates

- Eligible for consumer rebates in some municipalities.

## Recommended Products/Accessories

- K-4636 Cachet® Quiet-Close™ Elongated Toilet Seat
- K-5588 Purefresh® Elongated Toilet Seat
- K-4108 C³®-230 Elongated cleansing toilet seat
- K-5420 Low-Profile Bolt Caps
- K-9379 Trip Lever
- 1023457 Wax Ring/Hardware Kit
- 1265114 Connector Hose
- K-23726 Drain treatment

## Included Components

Product consists of:

- K-4373 Elongated chair height toilet bowl
- K-4467-RA Toilet tank, 1.28 gpf

Additional Components:

- Bolt cap accessory pack
- Tank accessory pack
- Tank cover
- Trip lever



**ADA** **CSA B651** **OBC**

## Codes/Standards

- ASME A112.19.2/CSA B45.1
- DOE - Energy Policy Act 1992
- EPA WaterSense®
- California Energy Commission (CEC)
- ADA
- ICC/ANSI A117.1
- CSA B651
- OBC




## KOHLER® Toilets and Seats Limited Warranty

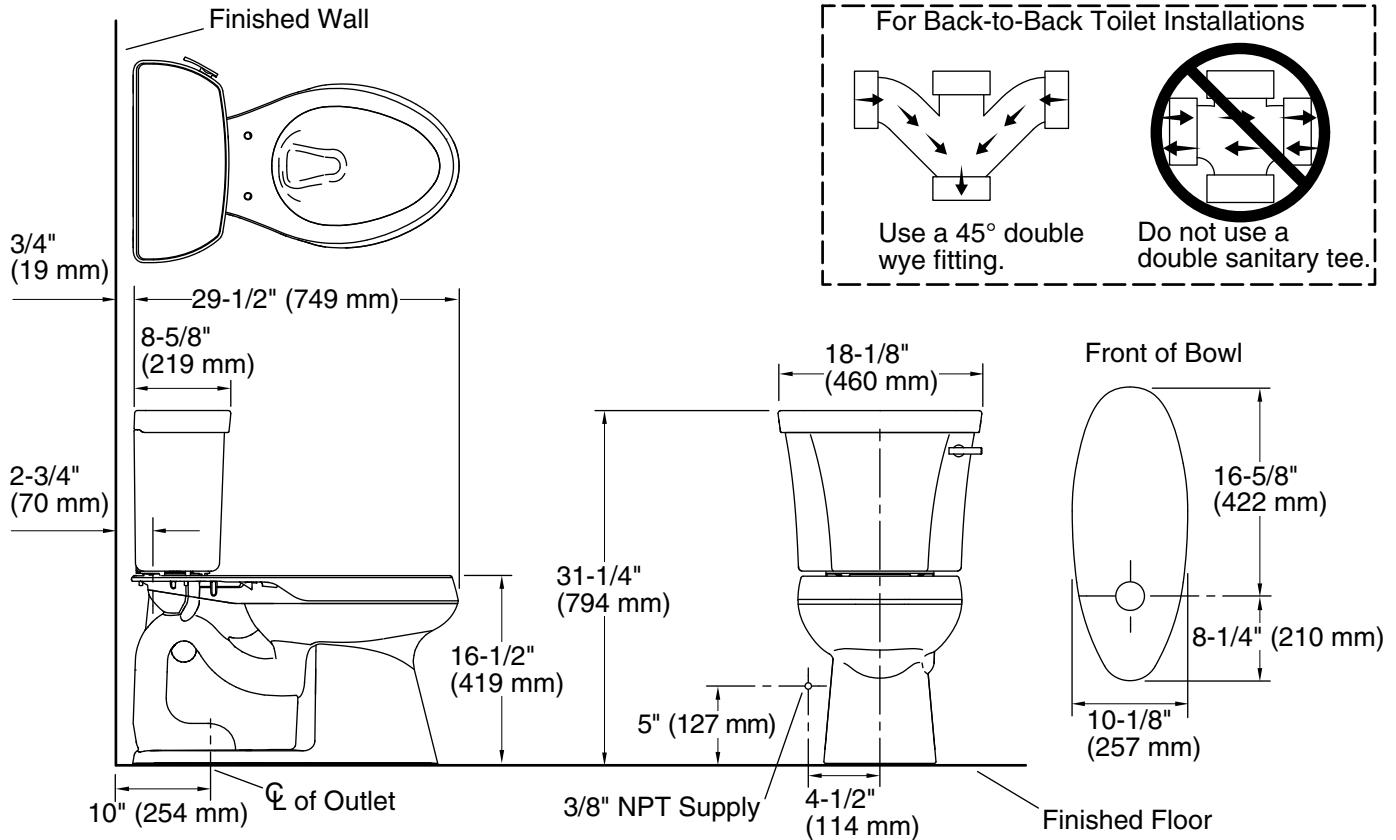
See website for detailed warranty information.

## Available Colors/Finishes

*Color tiles intended for reference only.*

### Color Code Description

|  |    |         |
|--|----|---------|
|  | 0  | White   |
|  | 96 | Biscuit |
|  | 47 | Almond  |



### Technical Information

All product dimensions are nominal.

|                       |                                |
|-----------------------|--------------------------------|
| Toilet type:          | Two-piece, Floor-mount         |
| Waste Outlet:         | Floor                          |
| Bowl shape:           | Elongated                      |
| Flush type:           | Class Five®                    |
| Trap passageway:      | 2-1/8" (54 mm)                 |
| Water Consumption     |                                |
| Full:                 | 1.28 gpf (4.8 lpf)             |
| Water surface size:   | 11-3/8" x 8" (289 mm x 203 mm) |
| Rim to water surface: | 5-3/8" (137 mm)                |
| Rough-in:             | 10" (254 mm)                   |
| Seat-mounting holes:  | 5-1/2" (140 mm)                |

### Notes

- Install this product according to the installation instructions.
- ADA, OBC, CSA B651 compliant when installed to the specific requirements of these regulations.
- Plumbing codes may require elongated toilets and elongated, open-front seats in public bathrooms.
- Accessibility standards may require controls to be located on the open side of the toilet.